

# ره‌نما

تولید گیربکسهای صنعتی

**Rahnama**  
INDUSTRIAL GEARBOXES MANUFACTURER

اولین دریافت کننده گواهینامه کیفی ISO 9001-2000 در صنعت گیربکس  
برگزیده شده به عنوان واحد نمونه صنعتی در سال ۱۳۹۰

INDUSTRIAL GEARBOXES MANUFACTURER



| BF30  |                 |                 |                        |                |
|-------|-----------------|-----------------|------------------------|----------------|
| i     | HP <sub>1</sub> | KW <sub>1</sub> | M <sub>2</sub><br>daNm | n <sub>2</sub> |
| 137.1 | 0.25            | 0.18            | 17.3                   | 9.9            |
| 107.6 | 0.33            | 0.25            | 18.3                   | 13             |
| 118.3 | 0.33            | 0.25            | 20.5                   | 11.5           |
| 124.7 | 0.33            | 0.25            | 21.5                   | 11             |
| 137.1 | 0.33            | 0.25            | 24                     | 9.9            |
| 87.08 | 0.4             | 0.3             | 17.9                   | 16             |
| 95.79 | 0.4             | 0.3             | 19.7                   | 14.5           |
| 107.6 | 0.4             | 0.3             | 22                     | 13             |
| 118.3 | 0.4             | 0.3             | 24.5                   | 11.5           |
| 124.7 | 0.4             | 0.3             | 26                     | 11             |
| 137.1 | 0.4             | 0.3             | 28.5                   | 9.9            |
| 67.28 | 0.5             | 0.37            | 17.2                   | 20.5           |
| 72.13 | 0.5             | 0.37            | 18.5                   | 19             |
| 79.34 | 0.5             | 0.37            | 20                     | 17.5           |
| 87.08 | 0.5             | 0.37            | 22                     | 16             |
| 95.79 | 0.5             | 0.37            | 24                     | 14.5           |
| 107.6 | 0.5             | 0.37            | 27                     | 13             |
| 118.3 | 0.5             | 0.37            | 30.5                   | 11.5           |
| 124.7 | 0.5             | 0.37            | 32                     | 11             |
| 137.1 | 0.5             | 0.37            | 35.5                   | 9.9            |
| 52.2  | 0.75            | 0.55            | 19.4                   | 27             |
| 57.41 | 0.75            | 0.55            | 21                     | 24.5           |
| 61.17 | 0.75            | 0.55            | 22.5                   | 23             |
| 67.28 | 0.75            | 0.55            | 25                     | 21             |
| 72.13 | 0.75            | 0.55            | 26.5                   | 19.5           |
| 79.34 | 0.75            | 0.55            | 29                     | 18             |
| 87.08 | 0.75            | 0.55            | 31.5                   | 16.5           |
| 95.79 | 0.75            | 0.55            | 35                     | 15             |
| 107.6 | 0.75            | 0.55            | 38.5                   | 13.5           |
| 118.3 | 0.75            | 0.55            | 43.5                   | 12             |
| 124.7 | 0.75            | 0.55            | 45.5                   | 11.5           |
| 137.1 | 0.75            | 0.55            | 50                     | 10.5           |
| 35    | 1               | 0.75            | 17.9                   | 40             |
| 38.49 | 1               | 0.75            | 19.6                   | 36.5           |
| 41.01 | 1               | 0.75            | 20.5                   | 34.5           |
| 45.1  | 1               | 0.75            | 22.5                   | 31.5           |
| 52.2  | 1               | 0.75            | 26.5                   | 27             |
| 57.41 | 1               | 0.75            | 29                     | 24.5           |
| 61.17 | 1               | 0.75            | 31                     | 23             |
| 67.28 | 1               | 0.75            | 34                     | 21             |
| 72.13 | 1               | 0.75            | 36.5                   | 19.5           |
| 79.34 | 1               | 0.75            | 39.5                   | 18             |
| 87.08 | 1               | 0.75            | 43                     | 16.5           |
| 95.79 | 1               | 0.75            | 47.5                   | 15             |
| 107.6 | 1               | 0.75            | 53                     | 13.5           |
| 118.3 | 1               | 0.75            | 59                     | 12             |
| 124.7 | 1               | 0.75            | 62                     | 11.5           |
| 137.1 | 1               | 0.75            | 68                     | 10.5           |

| BF30  |                 |                 |                        |                |
|-------|-----------------|-----------------|------------------------|----------------|
| i     | HP <sub>1</sub> | KW <sub>1</sub> | M <sub>2</sub><br>daNm | n <sub>2</sub> |
| 21.85 | 1.5             | 1.1             | 16.1                   | 65             |
| 24.03 | 1.5             | 1.1             | 17.8                   | 59             |
| 28.23 | 1.5             | 1.1             | 21                     | 50             |
| 31.05 | 1.5             | 1.1             | 23                     | 45.5           |
| 35    | 1.5             | 1.1             | 26                     | 40             |
| 38.49 | 1.5             | 1.1             | 28.5                   | 36.5           |
| 41.01 | 1.5             | 1.1             | 30                     | 34.5           |
| 45.1  | 1.5             | 1.1             | 33                     | 31.5           |
| 52.2  | 1.5             | 1.1             | 38.5                   | 27             |
| 57.41 | 1.5             | 1.1             | 42.5                   | 24.5           |
| 61.17 | 1.5             | 1.1             | 45.5                   | 23             |
| 67.28 | 1.5             | 1.1             | 50                     | 21             |
| 72.13 | 1.5             | 1.1             | 53                     | 19.5           |
| 79.34 | 1.5             | 1.1             | 58                     | 18             |
| 87.08 | 1.5             | 1.1             | 63                     | 16.5           |
| 95.79 | 1.5             | 1.1             | 70                     | 15             |
| 9.99  | 2               | 1.5             | 10.1                   | 141            |
| 12.91 | 2               | 1.5             | 13.1                   | 109            |
| 16    | 2               | 1.5             | 16.2                   | 88             |
| 17.65 | 2               | 1.5             | 17.9                   | 80             |
| 19.41 | 2               | 1.5             | 19.6                   | 73             |
| 21.85 | 2               | 1.5             | 22                     | 65             |
| 24.03 | 2               | 1.5             | 24                     | 59             |
| 28.23 | 2               | 1.5             | 28.5                   | 50             |
| 31.05 | 2               | 1.5             | 31                     | 45.5           |
| 35    | 2               | 1.5             | 35.5                   | 40             |
| 38.49 | 2               | 1.5             | 39                     | 36.5           |
| 41.01 | 2               | 1.5             | 41.5                   | 34.5           |
| 45.1  | 2               | 1.5             | 45                     | 31.5           |
| 52.2  | 2               | 1.5             | 53                     | 27             |
| 57.41 | 2               | 1.5             | 58                     | 24.5           |
| 61.17 | 2               | 1.5             | 62                     | 23             |
| 67.28 | 2               | 1.5             | 68                     | 21             |
| 8.07  | 3               | 2.2             | 12                     | 174            |
| 9.99  | 3               | 2.2             | 14.9                   | 141            |
| 12.91 | 3               | 2.2             | 19.2                   | 109            |
| 16    | 3               | 2.2             | 23.5                   | 88             |
| 17.65 | 3               | 2.2             | 26                     | 80             |
| 19.41 | 3               | 2.2             | 28.5                   | 73             |
| 21.85 | 3               | 2.2             | 32                     | 65             |
| 24.03 | 3               | 2.2             | 35.5                   | 59             |
| 28.23 | 3               | 2.2             | 42                     | 50             |
| 31.05 | 3               | 2.2             | 46                     | 45.5           |
| 35    | 3               | 2.2             | 52                     | 40             |
| 38.49 | 3               | 2.2             | 57                     | 36.5           |
| 41.01 | 3               | 2.2             | 60                     | 34.5           |
| 45.1  | 3               | 2.2             | 66                     | 31.5           |

| BF40  |                 |                 |                        |                |
|-------|-----------------|-----------------|------------------------|----------------|
| i     | HP <sub>1</sub> | KW <sub>1</sub> | M <sub>2</sub><br>daNm | n <sub>2</sub> |
| 78.55 | 0.75            | 0.55            | 29                     | 18             |
| 83.91 | 0.75            | 0.55            | 30.5                   | 17             |
| 92.31 | 0.75            | 0.55            | 33.5                   | 15.5           |
| 101   | 0.75            | 0.55            | 37.5                   | 14             |
| 111.1 | 0.75            | 0.55            | 40                     | 13             |
| 124.5 | 0.75            | 0.55            | 45.5                   | 11.5           |
| 137   | 0.74            | 0.55            | 50                     | 10.5           |
| 53.82 | 1               | 0.75            | 27                     | 26.5           |
| 61.25 | 1               | 0.75            | 31                     | 23             |
| 67.38 | 1               | 0.75            | 34                     | 21             |
| 71.4  | 1               | 0.75            | 35.5                   | 20             |
| 78.55 | 1               | 0.75            | 39.5                   | 18             |
| 83.91 | 1               | 0.75            | 42                     | 17             |
| 92.31 | 1               | 0.75            | 46                     | 15.5           |
| 101   | 1               | 0.75            | 51                     | 14             |
| 111.1 | 1               | 0.075           | 55                     | 13             |
| 124.5 | 1               | 0.075           | 62                     | 11.5           |
| 137   | 1               | 0.075           | 68                     | 10.5           |
| 37.64 | 1.5             | 1.1             | 28                     | 37.5           |
| 41.42 | 1.5             | 1.1             | 30.5                   | 34             |
| 45.56 | 1.5             | 1.1             | 33.5                   | 31             |
| 48.92 | 1.5             | 1.1             | 36                     | 29             |
| 53.82 | 1.5             | 1.1             | 39.5                   | 26.5           |
| 61.25 | 1.5             | 1.1             | 45.5                   | 23             |
| 67.38 | 1.5             | 1.1             | 50                     | 21             |
| 71.4  | 1.5             | 1.1             | 52                     | 20             |
| 78.55 | 1.5             | 1.1             | 58                     | 18             |
| 83.91 | 1.5             | 1.1             | 61                     | 17             |
| 92.31 | 1.5             | 1.1             | 67                     | 15.5           |
| 101   | 1.5             | 1.1             | 75                     | 14             |
| 111.1 | 1.5             | 1.1             | 80                     | 13             |
| 124.5 | 1.5             | 1.1             | 91                     | 11.5           |
| 137   | 1.5             | 1.1             | 100                    | 10.5           |
| 21.6  | 2               | 1.5             | 22                     | 65             |
| 23.77 | 2               | 1.5             | 24                     | 59             |
| 26.86 | 2               | 1.5             | 27                     | 53             |
| 29.55 | 2               | 1.5             | 30                     | 47.5           |
| 34.21 | 2               | 1.5             | 34.5                   | 41             |
| 37.64 | 2               | 1.5             | 38                     | 37.5           |
| 41.42 | 2               | 1.5             | 42                     | 34             |
| 45.56 | 2               | 1.5             | 46                     | 31             |
| 48.92 | 2               | 1.5             | 49                     | 29             |
| 53.82 | 2               | 1.5             | 54                     | 26.5           |
| 61.25 | 2               | 1.5             | 62                     | 23             |
| 67.38 | 2               | 1.5             | 68                     | 21             |
| 71.4  | 2               | 1.5             | 71                     | 20             |
| 78.55 | 2               | 1.5             | 79                     | 18             |
| 83.91 | 2               | 1.5             | 84                     | 17             |
| 92.31 | 2               | 1.5             | 92                     | 15.5           |
| 101   | 2               | 1.5             | 102                    | 14             |
| 111.1 | 2               | 1.5             | 110                    | 13             |
| 7.62  | 3               | 2.2             | 11.4                   | 184            |

| BF40  |                 |                 |                        |                |
|-------|-----------------|-----------------|------------------------|----------------|
| i     | HP <sub>1</sub> | KW <sub>1</sub> | M <sub>2</sub><br>daNm | n <sub>2</sub> |
| 9.48  | 3               | 2.2             | 14.1                   | 148            |
| 11.79 | 3               | 2.2             | 17.6                   | 119            |
| 15.02 | 3               | 2.2             | 22                     | 94             |
| 17.35 | 3               | 2.2             | 25.5                   | 81             |
| 19.09 | 3               | 2.2             | 28                     | 74             |
| 21.6  | 3               | 2.2             | 32                     | 65             |
| 23.77 | 3               | 2.2             | 35.5                   | 59             |
| 26.86 | 3               | 2.2             | 39.5                   | 53             |
| 29.55 | 3               | 2.2             | 44                     | 47.5           |
| 34.21 | 3               | 2.2             | 51                     | 41             |
| 37.64 | 3               | 2.2             | 56                     | 37.5           |
| 41.42 | 3               | 2.2             | 61                     | 34             |
| 45.56 | 3               | 2.2             | 67                     | 31             |
| 48.92 | 3               | 2.2             | 72                     | 29             |
| 53.82 | 3               | 2.2             | 79                     | 26.5           |
| 61.25 | 3               | 2.2             | 91                     | 23             |
| 67.38 | 3               | 2.2             | 100                    | 21             |
| 71.4  | 3               | 2.2             | 105                    | 20             |
| 7.62  | 4               | 3               | 15.3                   | 187            |
| 9.48  | 4               | 3               | 19.1                   | 150            |
| 11.79 | 4               | 3               | 23.5                   | 121            |
| 15.02 | 4               | 3               | 30                     | 95             |
| 17.35 | 4               | 3               | 34.5                   | 82             |
| 19.09 | 4               | 3               | 38                     | 75             |
| 21.6  | 4               | 3               | 43                     | 66             |
| 23.77 | 4               | 3               | 47.5                   | 60             |
| 26.86 | 4               | 3               | 54                     | 53             |
| 29.55 | 4               | 3               | 59                     | 48.5           |
| 34.21 | 4               | 3               | 68                     | 42             |
| 37.64 | 4               | 3               | 75                     | 38             |
| 41.42 | 4               | 3               | 83                     | 34.5           |
| 45.56 | 4               | 3               | 90                     | 31.5           |
| 48.92 | 4               | 3               | 97                     | 29.5           |
| 53.82 | 4               | 3               | 108                    | 26.5           |
| 7.62  | 5.5             | 4               | 20                     | 187            |
| 9.48  | 5.5             | 4               | 25                     | 150            |
| 11.79 | 5.5             | 4               | 31.5                   | 121            |
| 15.02 | 5.5             | 4               | 40                     | 95             |
| 17.35 | 5.5             | 4               | 46.5                   | 82             |
| 19.09 | 5.5             | 4               | 50                     | 75             |
| 21.6  | 5.5             | 4               | 57                     | 66             |
| 23.77 | 5.5             | 4               | 63                     | 60             |
| 26.86 | 5.5             | 4               | 72                     | 53             |
| 29.55 | 5.5             | 4               | 78                     | 48.5           |
| 34.21 | 5.5             | 4               | 90                     | 42             |
| 37.64 | 5.5             | 4               | 100                    | 38             |
| 41.42 | 5.5             | 4               | 110                    | 34.5           |
| 7.62  | 7.5             | 5.5             | 28                     | 187            |
| 9.48  | 7.5             | 5.5             | 35                     | 150            |
| 11.79 | 7.5             | 5.5             | 43                     | 121            |
| 15.02 | 7.5             | 5.5             | 55                     | 95             |
| 17.35 | 7.5             | 5.5             | 64                     | 82             |
| 19.09 | 7.5             | 5.5             | 70                     | 75             |
| 21.6  | 7.5             | 5.5             | 79                     | 66             |
| 23.77 | 7.5             | 5.5             | 87                     | 60             |



| BF50  |                 |                 |                        |                |
|-------|-----------------|-----------------|------------------------|----------------|
| i     | HP <sub>1</sub> | KW <sub>1</sub> | M <sub>2</sub><br>daNm | n <sub>2</sub> |
| 114   | 0.75            | 0.55            | 42                     | 12.5           |
| 127.5 | 0.75            | 0.55            | 47.5                   | 11             |
| 81.33 | 1               | 0.75            | 40.5                   | 17.5           |
| 90.24 | 1               | 0.75            | 44.5                   | 16             |
| 100.9 | 1               | 0.75            | 51                     | 14             |
| 114   | 1               | 0.75            | 57                     | 12.5           |
| 127.5 | 1               | 0.75            | 65                     | 11             |
| 56.86 | 1.5             | 1.1             | 42                     | 25             |
| 63.59 | 1.5             | 1.1             | 46.5                   | 22.5           |
| 72.72 | 1.5             | 1.1             | 53                     | 19.5           |
| 81.33 | 1.5             | 1.1             | 60                     | 17.5           |
| 90.24 | 1.5             | 1.1             | 65                     | 16             |
| 100.9 | 1.5             | 1.1             | 75                     | 14             |
| 114   | 1.5             | 1.1             | 84                     | 12.5           |
| 127.5 | 1.5             | 1.1             | 95                     | 11             |
| 42.15 | 2               | 1.5             | 42.5                   | 33.5           |
| 47.14 | 2               | 1.5             | 47.5                   | 30             |
| 56.86 | 2               | 1.5             | 57                     | 25             |
| 63.59 | 2               | 1.5             | 63                     | 22.5           |
| 72.72 | 2               | 1.5             | 73                     | 19.5           |
| 81.33 | 2               | 1.5             | 81                     | 17.5           |
| 90.24 | 2               | 1.5             | 89                     | 16             |
| 100.9 | 2               | 1.5             | 102                    | 14             |
| 114   | 2               | 1.5             | 114                    | 12.5           |
| 127.5 | 2               | 1.5             | 130                    | 11             |
| 23.14 | 3               | 2.2             | 34                     | 61             |
| 25.88 | 3               | 2.2             | 38                     | 55             |
| 31.73 | 3               | 2.2             | 47                     | 44.5           |
| 35.49 | 3               | 2.2             | 53                     | 39.5           |
| 42.15 | 3               | 2.2             | 62                     | 33.5           |
| 47.14 | 3               | 2.2             | 70                     | 30             |
| 56.86 | 3               | 2.2             | 84                     | 25             |
| 63.59 | 3               | 2.2             | 93                     | 22.5           |
| 72.72 | 3               | 2.2             | 107                    | 19.5           |
| 81.33 | 3               | 2.2             | 120                    | 17.5           |
| 90.24 | 3               | 2.2             | 131                    | 16             |
| 100.9 | 3               | 2.2             | 150                    | 14             |
| 10.68 | 4               | 3               | 21.5                   | 133            |
| 14.65 | 4               | 3               | 29.5                   | 97             |
| 16.7  | 4               | 3               | 33                     | 86             |
| 18.68 | 4               | 3               | 37                     | 77             |
| 23.14 | 4               | 3               | 46                     | 62             |
| 25.88 | 4               | 3               | 52                     | 55             |
| 31.73 | 4               | 3               | 63                     | 45             |
| 35.49 | 4               | 3               | 70                     | 40.5           |
| 42.15 | 4               | 3               | 84                     | 34             |
| 47.14 | 4               | 3               | 93                     | 30.5           |
| 56.86 | 4               | 3               | 114                    | 25             |
| 63.59 | 4               | 3               | 127                    | 22.5           |
| 72.72 | 4               | 3               | 143                    | 20             |
| 81.33 | 4               | 3               | 163                    | 17.5           |
| 7.71  | 5.5             | 4               | 20.5                   | 185            |
| 10.68 | 5.5             | 4               | 28.5                   | 133            |

| BF50  |                 |                 |                        |                |
|-------|-----------------|-----------------|------------------------|----------------|
| i     | HP <sub>1</sub> | KW <sub>1</sub> | M <sub>2</sub><br>daNm | n <sub>2</sub> |
| 14.65 | 5.5             | 4               | 39                     | 97             |
| 16.7  | 5.5             | 4               | 44                     | 86             |
| 18.68 | 5.5             | 4               | 49.5                   | 77             |
| 23.14 | 5.5             | 4               | 61                     | 62             |
| 25.88 | 5.5             | 4               | 69                     | 55             |
| 31.73 | 5.5             | 4               | 84                     | 45             |
| 35.49 | 5.5             | 4               | 94                     | 40.5           |
| 42.15 | 5.5             | 4               | 112                    | 34             |
| 47.14 | 5.5             | 4               | 125                    | 30.5           |
| 56.86 | 5.5             | 4               | 152                    | 25             |
| 7.71  | 7.5             | 5.5             | 28                     | 185            |
| 10.68 | 7.5             | 5.5             | 39                     | 133            |
| 14.65 | 7.5             | 5.5             | 54                     | 97             |
| 16.7  | 7.5             | 5.5             | 61                     | 86             |
| 18.68 | 7.5             | 5.5             | 68                     | 77             |
| 23.14 | 7.5             | 5.5             | 84                     | 62             |
| 25.88 | 7.5             | 5.5             | 95                     | 55             |
| 31.73 | 7.5             | 5.5             | 116                    | 45             |
| 35.49 | 7.5             | 5.5             | 129                    | 40.5           |
| 42.15 | 7.5             | 5.5             | 154                    | 34             |
| 7.71  | 10              | 7.5             | 38.5                   | 185            |
| 10.68 | 10              | 7.5             | 53                     | 133            |
| 14.65 | 10              | 7.5             | 73                     | 97             |
| 16.7  | 10              | 7.5             | 83                     | 86             |
| 18.68 | 10              | 7.5             | 93                     | 77             |
| 23.14 | 10              | 7.5             | 115                    | 62             |
| 25.88 | 10              | 7.5             | 130                    | 55             |
| 31.73 | 10              | 7.5             | 159                    | 45             |
| 7.71  | 12.5            | 9               | 49                     | 185            |
| 10.68 | 12.5            | 9               | 68                     | 133            |
| 14.65 | 12.5            | 9               | 93                     | 97             |
| 16.7  | 12.5            | 9               | 105                    | 86             |
| 18.68 | 12.5            | 9               | 117                    | 77             |
| 7.71  | 15              | 11              | 55                     | 190            |
| 10.68 | 15              | 11              | 76                     | 137            |
| 16.7  | 15              | 11              | 119                    | 88             |

| BF60  |                 |                 |                        |                |
|-------|-----------------|-----------------|------------------------|----------------|
| i     | HP <sub>1</sub> | KW <sub>1</sub> | M <sub>2</sub><br>daNm | n <sub>2</sub> |
| 93.44 | 1.5             | 1.1             | 70                     | 15             |
| 103.7 | 1.5             | 1.1             | 75                     | 14             |
| 113.1 | 1.5             | 1.1             | 84                     | 12.5           |
| 125.5 | 1.5             | 1.1             | 91                     | 11.5           |
| 72.15 | 2               | 1.5             | 73                     | 19.5           |
| 80.05 | 2               | 1.5             | 81                     | 17.5           |
| 93.44 | 2               | 1.5             | 95                     | 15             |
| 103.7 | 2               | 1.5             | 102                    | 14             |
| 113.1 | 2               | 1.5             | 114                    | 12.5           |
| 125.5 | 2               | 1.5             | 124                    | 11.5           |
| 46.16 | 3               | 2.2             | 68                     | 30.5           |
| 54.44 | 3               | 2.2             | 80                     | 26             |
| 60.4  | 3               | 2.2             | 89                     | 23.5           |
| 72.15 | 3               | 2.2             | 107                    | 19.5           |
| 80.05 | 3               | 2.2             | 120                    | 17.5           |
| 93.44 | 3               | 2.2             | 140                    | 15             |
| 103.7 | 3               | 2.2             | 150                    | 14             |
| 113.1 | 3               | 2.2             | 168                    | 12.5           |
| 125.5 | 3               | 2.2             | 182                    | 11.5           |
| 31.2  | 4               | 3               | 62                     | 46             |
| 34.62 | 4               | 3               | 69                     | 41.5           |
| 41.6  | 4               | 3               | 83                     | 34.5           |
| 46.16 | 4               | 3               | 92                     | 31             |
| 54.44 | 4               | 3               | 108                    | 26.5           |
| 60.4  | 4               | 3               | 119                    | 24             |
| 72.15 | 4               | 3               | 143                    | 20             |
| 80.05 | 4               | 3               | 159                    | 18             |
| 93.44 | 4               | 3               | 184                    | 15.5           |
| 103.7 | 4               | 3               | 200                    | 14             |
| 113.1 | 4               | 3               | 220                    | 13             |
| 125.5 | 4               | 3               | 245                    | 11.5           |
| 14.24 | 5.5             | 4               | 38                     | 100            |
| 16.96 | 5.5             | 4               | 45                     | 84             |
| 18.81 | 5.5             | 4               | 50                     | 76             |
| 22.58 | 5.5             | 4               | 60                     | 63             |
| 25.05 | 5.5             | 4               | 67                     | 57             |
| 31.2  | 5.5             | 4               | 83                     | 46             |
| 34.62 | 5.5             | 4               | 92                     | 41.5           |
| 41.6  | 5.5             | 4               | 110                    | 34.5           |
| 46.16 | 5.5             | 4               | 123                    | 31             |
| 54.44 | 5.5             | 4               | 1440                   | 26.5           |
| 60.4  | 5.5             | 4               | 159                    | 24             |
| 72.15 | 5.5             | 4               | 191                    | 20             |
| 80.05 | 5.5             | 4               | 210                    | 18             |
| 93.44 | 5.5             | 4               | 245                    | 15.5           |
| 103.7 | 5.5             | 4               | 270                    | 14             |
| 7.74  | 7.5             | 5.5             | 28.5                   | 184            |
| 10.31 | 7.5             | 5.5             | 38                     | 138            |
| 14.24 | 7.5             | 5.5             | 52                     | 100            |
| 16.96 | 7.5             | 5.5             | 62                     | 84             |
| 18.81 | 7.5             | 5.5             | 69                     | 76             |
| 22.58 | 7.5             | 5.5             | 83                     | 63             |
| 25.05 | 7.5             | 5.5             | 92                     | 57             |

| BF60  |                 |                 |                        |                |
|-------|-----------------|-----------------|------------------------|----------------|
| i     | HP <sub>1</sub> | KW <sub>1</sub> | M <sub>2</sub><br>daNm | n <sub>2</sub> |
| 31.2  | 7.5             | 5.5             | 114                    | 46             |
| 34.62 | 7.5             | 5.5             | 126                    | 41.5           |
| 41.6  | 7.5             | 5.5             | 152                    | 34.5           |
| 46.16 | 7.5             | 5.5             | 169                    | 31             |
| 54.44 | 7.5             | 5.5             | 198                    | 26.5           |
| 60.4  | 7.5             | 5.5             | 215                    | 24             |
| 72.15 | 7.5             | 5.5             | 260                    | 20             |
| 7.74  | 10              | 7.5             | 38.5                   | 184            |
| 10.31 | 10              | 7.5             | 51                     | 138            |
| 14.24 | 10              | 7.5             | 71                     | 100            |
| 16.96 | 10              | 7.5             | 85                     | 84             |
| 18.81 | 10              | 7.5             | 94                     | 76             |
| 22.58 | 10              | 7.5             | 113                    | 63             |
| 25.05 | 10              | 7.5             | 125                    | 57             |
| 31.2  | 10              | 7.5             | 155                    | 46             |
| 34.62 | 10              | 7.5             | 172                    | 41.5           |
| 41.6  | 10              | 7.5             | 205                    | 34.5           |
| 46.16 | 10              | 7.5             | 230                    | 31             |
| 54.44 | 10              | 7.5             | 270                    | 26.5           |
| 7.74  | 12.5            | 9               | 49                     | 184            |
| 10.31 | 12.5            | 9               | 65                     | 138            |
| 14.24 | 12.5            | 9               | 90                     | 100            |
| 16.96 | 12.5            | 9               | 108                    | 84             |
| 18.81 | 12.5            | 9               | 119                    | 76             |
| 22.58 | 12.5            | 9               | 144                    | 63             |
| 25.05 | 12.5            | 9               | 159                    | 57             |
| 31.2  | 12.5            | 9               | 197                    | 46             |
| 34.62 | 12.5            | 9               | 215                    | 41.5           |
| 41.6  | 12.5            | 9               | 260                    | 34.5           |
| 7.74  | 15              | 11              | 55                     | 189            |
| 10.31 | 15              | 11              | 73                     | 142            |
| 14.24 | 15              | 11              | 101                    | 103            |
| 16.96 | 15              | 11              | 120                    | 87             |
| 18.81 | 15              | 11              | 134                    | 78             |
| 22.58 | 15              | 11              | 161                    | 65             |
| 25.05 | 15              | 11              | 178                    | 59             |
| 31.2  | 15              | 11              | 220                    | 47             |
| 34.62 | 15              | 11              | 245                    | 42.5           |
| 7.74  | 20              | 15              | 75                     | 189            |
| 10.31 | 20              | 15              | 100                    | 142            |
| 14.24 | 20              | 15              | 139                    | 103            |
| 16.96 | 20              | 15              | 164                    | 87             |
| 18.81 | 20              | 15              | 183                    | 78             |
| 7.74  | 25              | 18.5            | 93                     | 189            |
| 10.31 | 25              | 18.5            | 124                    | 142            |



### BF70

| i     | HP <sub>1</sub> | KW <sub>1</sub> | M <sub>2</sub><br>daNm | n <sub>2</sub> |
|-------|-----------------|-----------------|------------------------|----------------|
| 122.7 | 3               | 2.2             | 182                    | 11.5           |
| 81.82 | 4               | 3               | 163                    | 17.5           |
| 95.46 | 4               | 3               | 191                    | 15             |
| 105.2 | 4               | 3               | 210                    | 13.5           |
| 122.7 | 4               | 3               | 235                    | 12             |
| 61.94 | 5.5             | 4               | 166                    | 23             |
| 72.26 | 5.5             | 4               | 191                    | 20             |
| 81.82 | 5.5             | 4               | 215                    | 17.5           |
| 95.46 | 5.5             | 4               | 250                    | 15             |
| 105.2 | 5.5             | 4               | 280                    | 13.5           |
| 122.7 | 5.5             | 4               | 315                    | 12             |
| 43.02 | 7.5             | 5.5             | 156                    | 33.5           |
| 47.82 | 7.5             | 5.5             | 175                    | 30             |
| 55.79 | 7.5             | 5.5             | 205                    | 25.5           |
| 61.94 | 7.5             | 5.5             | 225                    | 23             |
| 72.26 | 7.5             | 5.5             | 260                    | 20             |
| 81.82 | 7.5             | 5.5             | 300                    | 17.5           |
| 95.46 | 7.5             | 5.5             | 350                    | 15             |
| 105.2 | 7.5             | 5.5             | 385                    | 13.5           |
| 122.7 | 7.5             | 5.5             | 435                    | 12             |
| 31.84 | 10              | 7.5             | 159                    | 45             |
| 36.88 | 10              | 7.5             | 183                    | 39             |
| 43.02 | 10              | 7.5             | 210                    | 33.5           |
| 47.82 | 10              | 7.5             | 235                    | 30             |
| 55.79 | 10              | 7.5             | 280                    | 25.5           |
| 61.94 | 10              | 7.5             | 310                    | 23             |
| 72.26 | 10              | 7.5             | 355                    | 20             |
| 81.82 | 10              | 7.5             | 405                    | 17.5           |
| 95.46 | 10              | 7.5             | 475                    | 15             |
| 105.2 | 10              | 7.5             | 530                    | 13.5           |
| 122.7 | 10              | 7.5             | 590                    | 12             |
| 24.55 | 12.5            | 9               | 156                    | 58             |
| 27.29 | 12.5            | 9               | 171                    | 53             |
| 31.84 | 12.5            | 9               | 200                    | 45             |
| 36.88 | 12.5            | 9               | 230                    | 39             |
| 43.02 | 12.5            | 9               | 270                    | 33.5           |
| 47.82 | 12.5            | 9               | 300                    | 30             |
| 55.79 | 12.5            | 9               | 355                    | 25.5           |
| 61.94 | 12.5            | 9               | 390                    | 23             |
| 72.26 | 12.5            | 9               | 450                    | 20             |
| 81.82 | 12.5            | 9               | 510                    | 17.5           |
| 95.45 | 12.5            | 9               | 600                    | 15             |
| 21.04 | 15              | 11              | 150                    | 70             |
| 24.55 | 15              | 11              | 175                    | 60             |
| 27.29 | 15              | 11              | 194                    | 54             |
| 31.84 | 15              | 11              | 225                    | 46             |
| 36.88 | 15              | 11              | 260                    | 40             |
| 43.02 | 15              | 11              | 305                    | 34             |

### BF70

| i     | HP <sub>1</sub> | KW <sub>1</sub> | M <sub>2</sub><br>daNm | n <sub>2</sub> |
|-------|-----------------|-----------------|------------------------|----------------|
| 47.82 | 15              | 11              | 335                    | 31             |
| 55.79 | 15              | 11              | 395                    | 26.5           |
| 61.94 | 15              | 11              | 435                    | 24             |
| 72.26 | 15              | 11              | 510                    | 20.5           |
| 81.82 | 15              | 11              | 580                    | 18             |
| 14.9  | 20              | 15              | 146                    | 98             |
| 17.39 | 20              | 15              | 170                    | 84             |
| 21.04 | 20              | 15              | 200                    | 70             |
| 24.55 | 20              | 15              | 235                    | 60             |
| 27.29 | 20              | 15              | 265                    | 54             |
| 31.84 | 20              | 15              | 310                    | 46             |
| 36.88 | 20              | 15              | 355                    | 40             |
| 43.02 | 20              | 15              | 420                    | 34             |
| 47.82 | 20              | 15              | 460                    | 31             |
| 55.79 | 20              | 15              | 540                    | 26.5           |
| 61.94 | 20              | 15              | 590                    | 24             |
| 14.9  | 25              | 18.5            | 180                    | 98             |
| 17.39 | 25              | 18.5            | 210                    | 84             |
| 21.04 | 25              | 18.5            | 250                    | 70             |
| 24.55 | 25              | 18.5            | 290                    | 60             |
| 27.29 | 25              | 18.5            | 325                    | 54             |
| 31.84 | 25              | 18.5            | 380                    | 46             |
| 36.88 | 25              | 18.5            | 440                    | 40             |
| 43.02 | 25              | 18.5            | 510                    | 34             |
| 47.82 | 25              | 18.5            | 560                    | 31             |
| 10.32 | 30              | 22              | 147                    | 142            |
| 12.04 | 30              | 22              | 172                    | 122            |
| 14.9  | 30              | 22              | 210                    | 98             |
| 17.39 | 30              | 22              | 250                    | 84             |
| 21.04 | 30              | 22              | 300                    | 70             |
| 24.55 | 30              | 22              | 350                    | 60             |
| 27.29 | 30              | 22              | 385                    | 54             |
| 31.84 | 30              | 22              | 455                    | 46             |
| 36.88 | 30              | 22              | 520                    | 40             |
| 43.02 | 30              | 22              | 610                    | 34             |
| 10.32 | 40              | 30              | 200                    | 142            |
| 12.04 | 40              | 30              | 230                    | 122            |
| 14.9  | 40              | 30              | 290                    | 98             |
| 17.39 | 40              | 30              | 340                    | 84             |
| 21.04 | 40              | 30              | 405                    | 70             |
| 24.55 | 40              | 30              | 475                    | 60             |
| 27.29 | 40              | 30              | 530                    | 54             |
| 31.84 | 40              | 30              | 620                    | 46             |

### BF80

| i     | HP <sub>1</sub> | KW <sub>1</sub> | M <sub>2</sub><br>daNm | n <sub>2</sub> |
|-------|-----------------|-----------------|------------------------|----------------|
| 209.4 | 3               | 2.2             | 310                    | 6.7            |
| 237.1 | 3               | 2.2             | 350                    | 6              |
| 269.1 | 3               | 2.2             | 395                    | 5.3            |
| 158.5 | 4               | 3               | 315                    | 9              |
| 184.5 | 4               | 3               | 370                    | 7.7            |
| 209.4 | 4               | 3               | 420                    | 6.8            |
| 237.1 | 4               | 3               | 475                    | 6              |
| 269.1 | 4               | 3               | 540                    | 5.3            |
| 122.4 | 5.5             | 4               | 315                    | 12             |
| 139.7 | 5.5             | 4               | 360                    | 10.5           |
| 158.5 | 5.5             | 4               | 420                    | 9              |
| 184.5 | 5.5             | 4               | 495                    | 7.7            |
| 209.4 | 5.5             | 4               | 560                    | 6.8            |
| 237.1 | 5.5             | 4               | 630                    | 6              |
| 269.1 | 5.5             | 4               | 720                    | 5.3            |
| 83.16 | 7.5             | 5.5             | 300                    | 17.5           |
| 94.38 | 7.5             | 5.5             | 335                    | 15.5           |
| 107.9 | 7.5             | 5.5             | 385                    | 13.5           |
| 122.4 | 7.5             | 5.5             | 435                    | 12             |
| 139.7 | 7.5             | 5.5             | 500                    | 10.5           |
| 158.5 | 7.5             | 5.5             | 580                    | 9              |
| 184.5 | 7.5             | 5.5             | 680                    | 7.7            |
| 209.4 | 7.5             | 5.5             | 770                    | 6.8            |
| 237.1 | 7.5             | 5.5             | 870                    | 6              |
| 269.1 | 7.5             | 5.5             | 990                    | 5.3            |
| 53.86 | 10              | 7.5             | 270                    | 26.5           |
| 61.55 | 10              | 7.5             | 300                    | 23.5           |
| 69.86 | 10              | 7.5             | 345                    | 20.5           |
| 83.16 | 10              | 7.5             | 405                    | 17.5           |
| 94.38 | 10              | 7.5             | 460                    | 15.5           |
| 107.9 | 10              | 7.5             | 530                    | 13.5           |
| 122.4 | 10              | 7.5             | 590                    | 12             |
| 139.7 | 10              | 7.5             | 680                    | 10.2           |
| 158.5 | 10              | 7.5             | 790                    | 9              |
| 184.5 | 10              | 7.5             | 930                    | 7.7            |
| 209.4 | 10              | 7.5             | 1050                   | 6.8            |
| 237.1 | 10              | 7.5             | 1190                   | 6              |
| 47.46 | 12.5            | 9               | 300                    | 30             |
| 53.86 | 12.5            | 9               | 340                    | 26.5           |
| 61.55 | 12.5            | 9               | 385                    | 23.5           |
| 69.86 | 12.5            | 9               | 440                    | 20.5           |
| 83.16 | 12.5            | 9               | 510                    | 17.5           |
| 94.38 | 12.5            | 9               | 580                    | 15.5           |
| 107.9 | 12.5            | 9               | 670                    | 13.5           |
| 122.4 | 12.5            | 9               | 750                    | 12             |
| 139.7 | 12.5            | 9               | 860                    | 10.5           |
| 158.5 | 12.5            | 9               | 1000                   | 9              |
| 184.5 | 12.5            | 9               | 1170                   | 7.7            |
| 30.21 | 15              | 11              | 215                    | 48.5           |
| 33.61 | 15              | 11              | 240                    | 43.5           |
| 38.14 | 15              | 11              | 270                    | 38.5           |
| 47.46 | 15              | 11              | 335                    | 31             |
| 53.86 | 15              | 11              | 380                    | 27.5           |

### BF80

| i     | HP <sub>1</sub> | KW <sub>1</sub> | M <sub>2</sub><br>daNm | n <sub>2</sub> |
|-------|-----------------|-----------------|------------------------|----------------|
| 61.55 | 15              | 11              | 435                    | 24             |
| 69.86 | 15              | 11              | 500                    | 21             |
| 83.16 | 15              | 11              | 580                    | 18             |
| 94.38 | 15              | 11              | 670                    | 15.5           |
| 107.9 | 15              | 11              | 750                    | 14             |
| 122.4 | 15              | 11              | 870                    | 12             |
| 139.7 | 15              | 11              | 1000                   | 10.5           |
| 158.5 | 15              | 11              | 1120                   | 9.3            |
| 16.49 | 20              | 15              | 160                    | 89             |
| 23.29 | 20              | 15              | 225                    | 63             |
| 30.21 | 20              | 15              | 295                    | 48.5           |
| 33.61 | 20              | 15              | 325                    | 43.5           |
| 38.14 | 20              | 15              | 370                    | 38.5           |
| 47.46 | 20              | 15              | 460                    | 31             |
| 53.86 | 20              | 15              | 520                    | 27.5           |
| 61.55 | 20              | 15              | 590                    | 24             |
| 69.86 | 20              | 15              | 680                    | 21             |
| 83.16 | 20              | 15              | 790                    | 18             |
| 94.38 | 20              | 15              | 920                    | 15.5           |
| 107.9 | 20              | 15              | 1020                   | 14             |
| 122.4 | 20              | 15              | 1190                   | 12             |
| 16.49 | 25              | 18.5            | 198                    | 89             |
| 23.29 | 25              | 18.5            | 280                    | 63             |
| 30.21 | 25              | 18.5            | 360                    | 48.5           |
| 33.61 | 25              | 18.5            | 405                    | 43.5           |
| 38.14 | 25              | 18.5            | 455                    | 38.5           |
| 47.46 | 25              | 18.5            | 560                    | 31             |
| 53.86 | 25              | 18.5            | 640                    | 27.5           |
| 61.55 | 25              | 18.5            | 730                    | 24             |
| 69.86 | 25              | 18.5            | 840                    | 21             |
| 83.16 | 25              | 18.5            | 980                    | 18             |
| 94.38 | 25              | 18.5            | 1130                   | 15.5           |
| 11.42 | 30              | 22              | 164                    | 128            |
| 16.49 | 30              | 22              | 235                    | 89             |
| 23.29 | 30              | 22              | 330                    | 63             |
| 30.21 | 30              | 22              | 430                    | 48.5           |
| 33.61 | 30              | 22              | 480                    | 43.5           |
| 38.14 | 30              | 22              | 540                    | 38.5           |
| 47.46 | 30              | 22              | 670                    | 31             |
| 53.86 | 30              | 22              | 760                    | 27.5           |
| 61.55 | 30              | 22              | 870                    | 24             |
| 69.86 | 30              | 22              | 1000                   | 21             |
| 83.16 | 30              | 22              | 1160                   | 18             |
| 11.42 | 40              | 30              | 220                    | 128            |
| 16.49 | 40              | 30              | 320                    | 89             |
| 23.29 | 40              | 30              | 450                    | 63             |
| 30.21 | 40              | 30              | 590                    | 48.5           |
| 33.61 | 40              | 30              | 650                    | 43.5           |
| 38.14 | 40              | 30              | 740                    | 38.5           |
| 47.46 | 40              | 30              | 920                    | 31             |
| 53.86 | 40              | 30              | 1040                   | 27.5           |

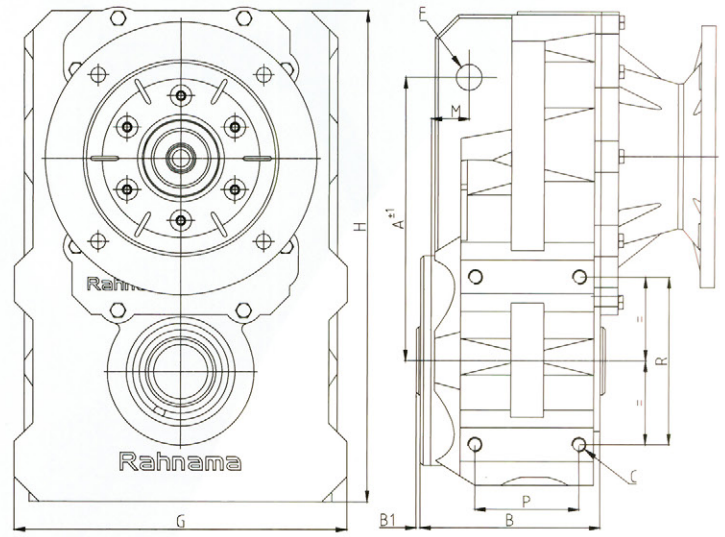


**BF90**

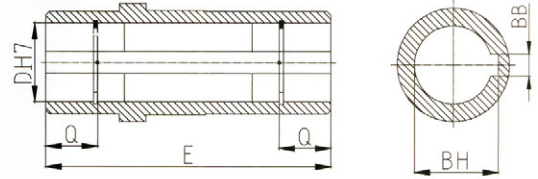
| i     | HP <sub>1</sub> | KW <sub>1</sub> | M <sub>2</sub><br>daNm | n <sub>2</sub> |
|-------|-----------------|-----------------|------------------------|----------------|
| 259   | 4               | 3               | 520                    | 5.5            |
| 198.8 | 5.5             | 4               | 530                    | 7.2            |
| 232.6 | 5.5             | 4               | 610                    | 6.2            |
| 259   | 5.5             | 4               | 690                    | 5.5            |
| 154.8 | 7.5             | 5.5             | 570                    | 9.2            |
| 178.6 | 7.5             | 5.5             | 650                    | 8              |
| 198.8 | 7.5             | 5.5             | 720                    | 7.2            |
| 232.6 | 7.5             | 5.5             | 840                    | 6.2            |
| 259   | 7.5             | 5.5             | 950                    | 5.5            |
| 107.5 | 10              | 7.5             | 530                    | 13.5           |
| 119.7 | 10              | 7.5             | 590                    | 12             |
| 139.1 | 10              | 7.5             | 680                    | 10.5           |
| 154.8 | 10              | 7.5             | 770                    | 9.2            |
| 178.6 | 10              | 7.5             | 890                    | 8              |
| 198.8 | 10              | 7.5             | 990                    | 7.2            |
| 232.6 | 10              | 7.5             | 1150                   | 6.2            |
| 259   | 10              | 7.5             | 1300                   | 5.5            |
| 80.85 | 12.5            | 9               | 500                    | 18             |
| 90.02 | 12.5            | 9               | 560                    | 16             |
| 107.5 | 12.5            | 9               | 670                    | 13.5           |
| 119.7 | 12.5            | 9               | 750                    | 12             |
| 139.1 | 12.5            | 9               | 860                    | 10.5           |
| 154.8 | 12.5            | 9               | 980                    | 9.2            |
| 178.6 | 12.5            | 9               | 1130                   | 8              |
| 198.8 | 12.5            | 9               | 1260                   | 7.2            |
| 232.6 | 12.5            | 9               | 1460                   | 6.2            |
| 259   | 12.5            | 9               | 1640                   | 5.5            |
| 70.69 | 15              | 11              | 500                    | 21             |
| 80.85 | 15              | 11              | 560                    | 18.5           |
| 90.02 | 15              | 11              | 630                    | 16.5           |
| 107.5 | 15              | 11              | 750                    | 14             |
| 119.7 | 15              | 11              | 840                    | 12.5           |
| 139.1 | 15              | 11              | 1000                   | 10.5           |
| 154.8 | 15              | 11              | 1100                   | 9.5            |
| 178.6 | 15              | 11              | 1280                   | 8.2            |
| 198.8 | 15              | 11              | 1410                   | 7.4            |
| 232.6 | 15              | 11              | 1660                   | 6.3            |
| 259   | 15              | 11              | 1840                   | 5.7            |
| 46.43 | 20              | 15              | 450                    | 31.5           |
| 51.7  | 20              | 15              | 500                    | 28.5           |
| 63.49 | 20              | 15              | 620                    | 23             |
| 70.69 | 20              | 15              | 680                    | 21             |
| 80.85 | 20              | 15              | 770                    | 18.5           |
| 90.02 | 20              | 15              | 860                    | 16.5           |
| 107.5 | 20              | 15              | 1020                   | 14             |
| 119.7 | 20              | 15              | 1140                   | 12.5           |
| 139.1 | 20              | 15              | 1360                   | 10.5           |
| 154.8 | 20              | 15              | 1500                   | 9.5            |
| 178.6 | 20              | 15              | 1740                   | 8.2            |
| 198.8 | 20              | 15              | 1930                   | 7.4            |
| 46.43 | 25              | 18.5            | 560                    | 31.5           |
| 51.7  | 25              | 18.5            | 610                    | 28.5           |
| 63.49 | 25              | 18.5            | 760                    | 23             |

**BF90**

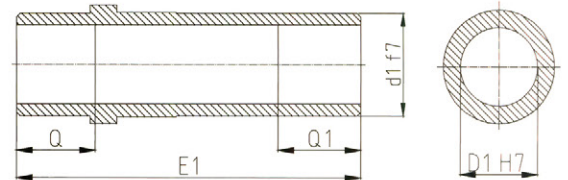
| i     | HP <sub>1</sub> | KW <sub>1</sub> | M <sub>2</sub><br>daNm | n <sub>2</sub> |
|-------|-----------------|-----------------|------------------------|----------------|
| 70.69 | 25              | 18.5            | 840                    | 21             |
| 80.85 | 25              | 18.5            | 950                    | 18.5           |
| 90.02 | 25              | 18.5            | 1070                   | 16.5           |
| 107.5 | 25              | 18.5            | 1260                   | 14             |
| 119.7 | 25              | 18.5            | 1410                   | 12.5           |
| 139.1 | 25              | 18.5            | 1680                   | 10.5           |
| 154.8 | 25              | 18.5            | 1850                   | 9.5            |
| 23.95 | 30              | 22              | 340                    | 61             |
| 33.71 | 30              | 22              | 480                    | 43.5           |
| 37.54 | 30              | 22              | 530                    | 39             |
| 46.43 | 30              | 22              | 660                    | 31.5           |
| 51.7  | 30              | 22              | 730                    | 28.5           |
| 63.49 | 30              | 22              | 910                    | 23             |
| 70.69 | 30              | 22              | 1000                   | 21             |
| 80.85 | 30              | 22              | 1130                   | 18.5           |
| 90.02 | 30              | 22              | 1270                   | 16.5           |
| 107.5 | 30              | 22              | 1500                   | 14             |
| 119.7 | 30              | 22              | 1680                   | 12.5           |
| 139.1 | 30              | 22              | 2000                   | 10.5           |
| 12.45 | 40              | 30              | 240                    | 118            |
| 17.39 | 40              | 30              | 340                    | 84             |
| 23.95 | 40              | 30              | 465                    | 61             |
| 33.71 | 40              | 30              | 650                    | 43.5           |
| 37.54 | 40              | 30              | 730                    | 39             |
| 46.43 | 40              | 30              | 900                    | 31.5           |
| 51.7  | 40              | 30              | 1000                   | 28.5           |
| 63.49 | 40              | 30              | 1240                   | 23             |
| 70.69 | 40              | 30              | 1360                   | 21             |
| 80.85 | 40              | 30              | 1540                   | 18.5           |
| 90.02 | 40              | 30              | 1730                   | 16.5           |
| 107.5 | 40              | 30              | 2040                   | 14             |



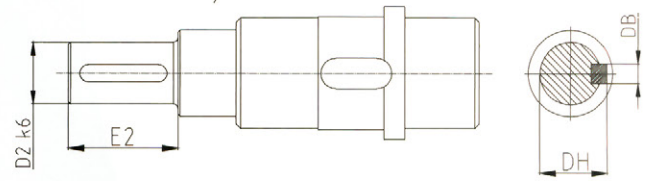
Code...4/



Code...5/



Code...1/



|                              | 30     | 40     | 50     | 60     | 70     | 80 | 90 |
|------------------------------|--------|--------|--------|--------|--------|----|----|
| A                            | 210    | 242    | 270    | 340    | 377    | -- | -- |
| B                            | 129    | 152    | 164    | 185    | 229    | -- | -- |
| B <sub>1</sub>               | 7.5    | 7      | 6      | 7      | 6      | -- | -- |
| d <sub>1</sub> f7            | 50     | 62     | 68     | 80     | 105    | -- | -- |
| D <sup>H7</sup>              | 35     | 40     | 50     | 60     | 70     | -- | -- |
| E                            | 141.5  | 166    | 182    | 202    | 240    | -- | -- |
| D <sub>1</sub> <sup>H7</sup> | 40     | 50     | 60     | 70     | 90     | -- | -- |
| E <sub>1</sub>               | 192    | 215    | 211    | 257    | 320    | -- | -- |
| D <sub>2</sub> <sup>k6</sup> | 40     | 50     | 60     | 70     | 90     | -- | -- |
| E <sub>2</sub>               | 80     | 100    | 120    | 140    | 180    | -- | -- |
| F                            | 15/17  | 21/23  | 25/27  | 25/27  | 29/32  | -- | -- |
| M                            | 36     | 33     | 44     | 53     | 76     | -- | -- |
| G                            | 246    | 270    | 306    | 375    | 450    | -- | -- |
| H                            | 350    | 395    | 470    | 568    | 650    | -- | -- |
| P                            | 75     | 95     | 100    | 110    | 140    | -- | -- |
| R                            | 130    | 140    | 160    | 200    | 240    | -- | -- |
| C                            | M12x24 | M12x24 | M14x28 | M16x30 | M20x40 | -- | -- |
| DB <sup>P9</sup>             | 12     | 14     | 18     | 20     | 25     | -- | -- |
| DH                           | 43     | 53.5   | 64     | 74.5   | 95     | -- | -- |
| BB <sup>P9</sup>             | 10     | 12     | 14     | 18     | 20     | -- | -- |
| BH                           | 38.3   | 43.3   | 53.8   | 64.4   | 74.9   | -- | -- |
| Q                            | 40     | 40     | 50     | 60     | 70     | -- | -- |
| Q <sub>1</sub>               | 35     | 40     | 40     | 50     | 65     | -- | -- |



**راندمان بالا،  
پر قدرت با بدنه ای مستحکم،  
قابلیت اطمینان برای کارکردهای سنگین و پیوسته**

استفاده برای خطوط نورد لوله، فولاد، جرثقیل های سقفی و ...  
با نسبت تبدیل های متفاوت و اندازه ۹۰ ÷ ۳۰

# Rahnama

INDUSTRIAL GEARBOXES MANUFACTURER

اراک، شهرک صنعتی قطب، صندوق پستی: ۳۸۱۸۵-۱۶۳

تلفن: ۳-۳۴۱۳۰۳۵۰ (۰۸۶) فاکس: ۳۴۱۳۰۳۴۹ (۰۸۶)

www.rahnama.co.ir Email: info@rahnama.co.ir